

## DS-2TP21B-6AVF/W

### Thermography Thermal Camera Camera

The thermal camera has a special design and one of its functions is detect temperature in real time. It is equipped with a 160 × 120 resolution thermal detector, can be widely used for preliminary temperature screening to the maintenance in office buildings, factories, stations, airports, etc.

#### Key Feature

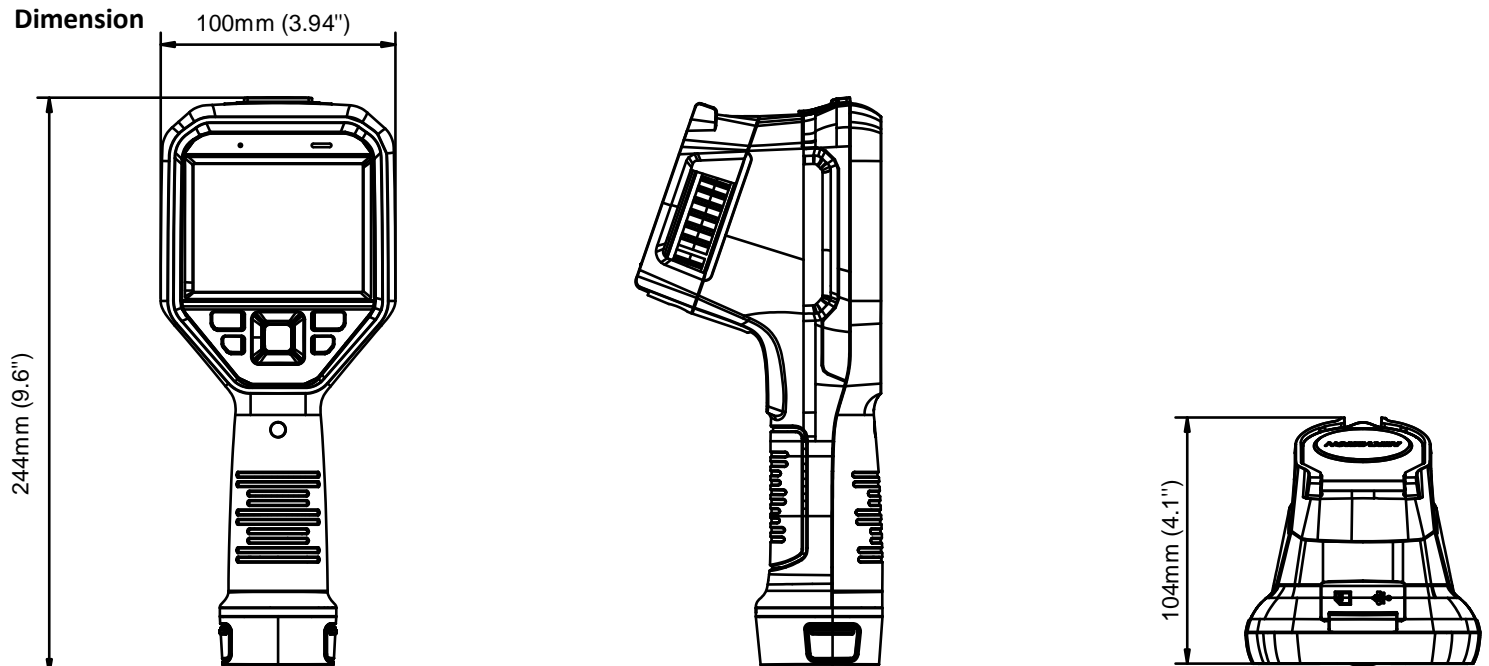
- 160 × 120 resolution (thermal), and 8 MP resolution (optical)
- Thermographic accuracy up to  $\pm 0.5$  °C
- Display fusion of thermalview and optical view.
- 640 × 480 resolution 3.5" LCD touch display
- Support live view on PC, mobile device or external monitor
- Support audio intercom
- Support color highlight alarm and audio alarm



#### Available Model

DS-2TP21B-6AVF/W

#### Dimension



## Specification

Model		DS-2TP21B-6AVF/W	
Parameter		Thermographic Camera	
Thermal Module	Image sensor	Uncooled Focal Plane Arrays	
	Resolution	25Hz: 160 × 120	
	Pixel Pitch	17µm	
	Response waveband	8µm to 14µm	
	NETD	< 40 mk (@ 25 °C,F#=1.0)	
	Field of View	25° × 18.7°	
	Focal length	6.2 mm (Manual focus)	
	IFOV	2.74 mrad	
Optical Module	Aperture	F 1.1	
	Picture Resolution	Configurable: 2 MP, 5 MP, 8 MP	
	Video Resolution	640 × 480	
	Monitor	640 × 480 resolution 3.5" LCD touch display	
Image Display	Palettes	Black hot, White hot, Red hot, Rainbow, Ironbow, Fusion, Rain	
	Digital Zoom	Thermal: 1×, 2×, 4×	
	Thermal / Optical	Thermal/Optical/Fusion image/Picture in picture	
	Picture in Picture	Support Thermal View in Optical View	
	Fusion	Support (Thermal View and Optical View Combined)	
	Record Video	Support on-board video recording	
	Thermography	Rules	Max. Temperature; Min. Temperature; Center Temperature; Custom Point/Line/Area Thermography
		Range	30°C to 45 °C
Accuracy		±0.5° C	
Battery	Battery Type	Dismountable and rechargeable Li-ion Battery	
	Battery Operating Time	5 hours in normal temperature, with Wi-Fi, Bluetooth, and supplement light off. 4 hours in normal temperature, with Wi-Fi, Bluetooth, and supplement light on.	
	Storage	Built-in memory module (16 G)	
	Photo	Thermal/Optical/Fusion image	
	Video	Thermal/Optical/Fusion image	
	Wi-Fi	Support	
	Text Comment	Support	
	Voice Comment	Support	
General	Language	English	
	Power	5 VDC/2 A	
	Power Consumption	Max. 4.5 W	
	Hardware Interface	Type-C Interface	
	Working Temperature	15°C to 35 °C	
	Protection level	IP54	
	Drop Test Height	2 m (6.56 feet)	
	Dimension	244 mm × 100 mm × 104 mm (9.6 " × 3.9 " × 4.1 ")	
	Weight	With Battery: 653 g (1.44 lb) Without Battery: 511 g (1.13 lb)	

